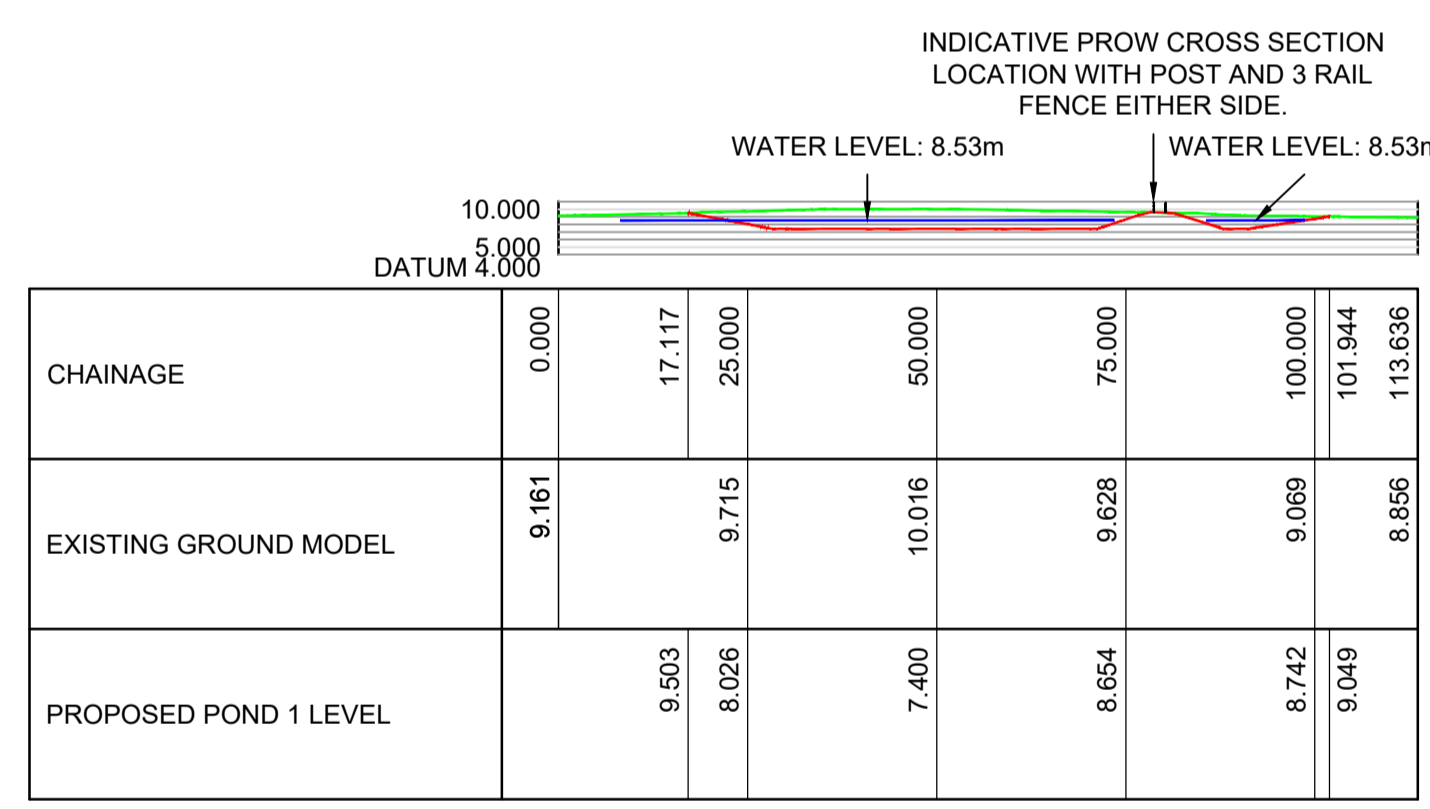
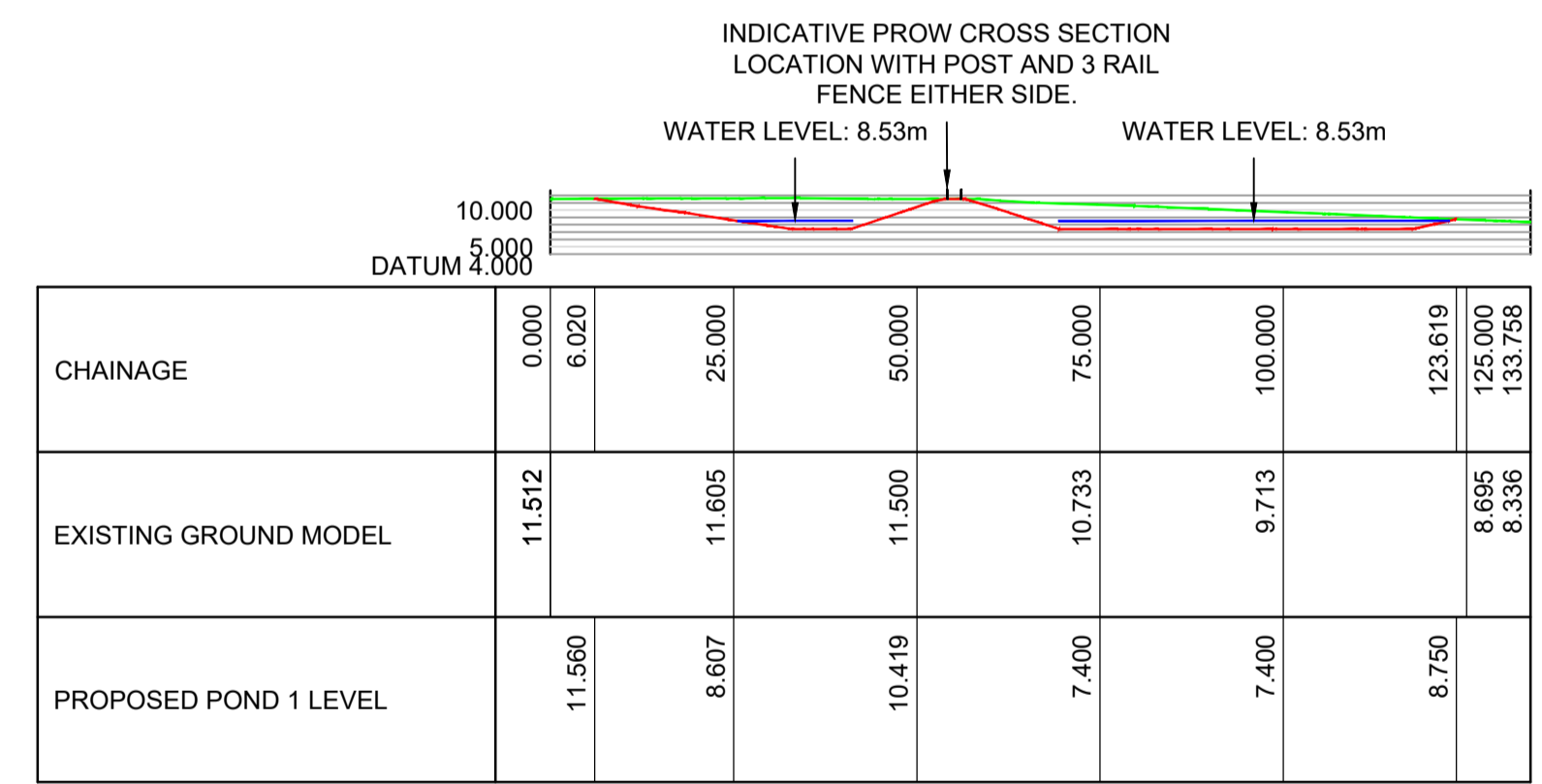


- LEGEND**
- PROPOSED GROUND
 - EXISTING GROUND
- NOTES**
- NOT FOR CONSTRUCTION.
 - LEVELS ARE SHOWN IN METRES UNLESS STATED OTHERWISE. DEPTHS ARE SHOWN IN METRES UNLESS STATED OTHERWISE.
 - THIS DRAWING ILLUSTRATES THE PROPOSED LEVELS AND PROFILE OF THE PROPOSED BASIN. NO SLOPE STABILITY ASSESSMENT HAS BEEN UNDERTAKEN AS PART OF THIS DRAWING.
 - THE REQUIREMENT FOR AN IMPERMEABLE LINER HAS NOT BEEN ASSESSED OR INVESTIGATED AS PART OF THIS DRAWING.
 - THE POTENTIAL FOR HIGH GROUND WATER TABLE AND POTENTIAL FLOATATION OF ANY LINER HAS NOT BEEN ASSESSED AS PART OF THIS DRAWING.
 - THE WATER RECHARGE AND SUSTAINABILITY OF WATER SUPPLY HAS NOT BEEN ASSESSED AS PART OF THIS DRAWING.
 - EROSION PROTECTION AGAINST WIND, WAVE OR OTHER ACTIONS HAVE NOT BEEN ASSESSED AS PART OF THESE DRAWINGS.
 - A GEOTECHNICAL DESIGN IS REQUIRED TO ASSESS AND ENSURE THE STABILITY OF THE EMBANKMENTS (EXCAVATED FACES AND BUILT UP FACES).
 - THE EXISTING PUBLIC RIGHT OF WAY (WILLINGTON AND JEVINGTON 6) IS TO BE MAINTAINED TO ITS FULL WIDTH AND EXISTING LEVELS AND WILL NOT BE AFFECTED BY THE CONSTRUCTION OF THE ATTENUATION BASIN.
 - THE ATTENUATION BASIN WHICH TRAVERSE THE EXISTING PUBLIC RIGHT OF WAY (WILLINGTON AND JEVINGTON 6) IS TO BE SET BACK FROM THE EDGE OF THE EXISTING PROWL CONSTRUCTION BY A MINIMUM OF 1.5 METRES EITHER SIDE, SECURELY FENCED AND EXCAVATION WILL NOT ENCRoACH ONTO THE PROWL.

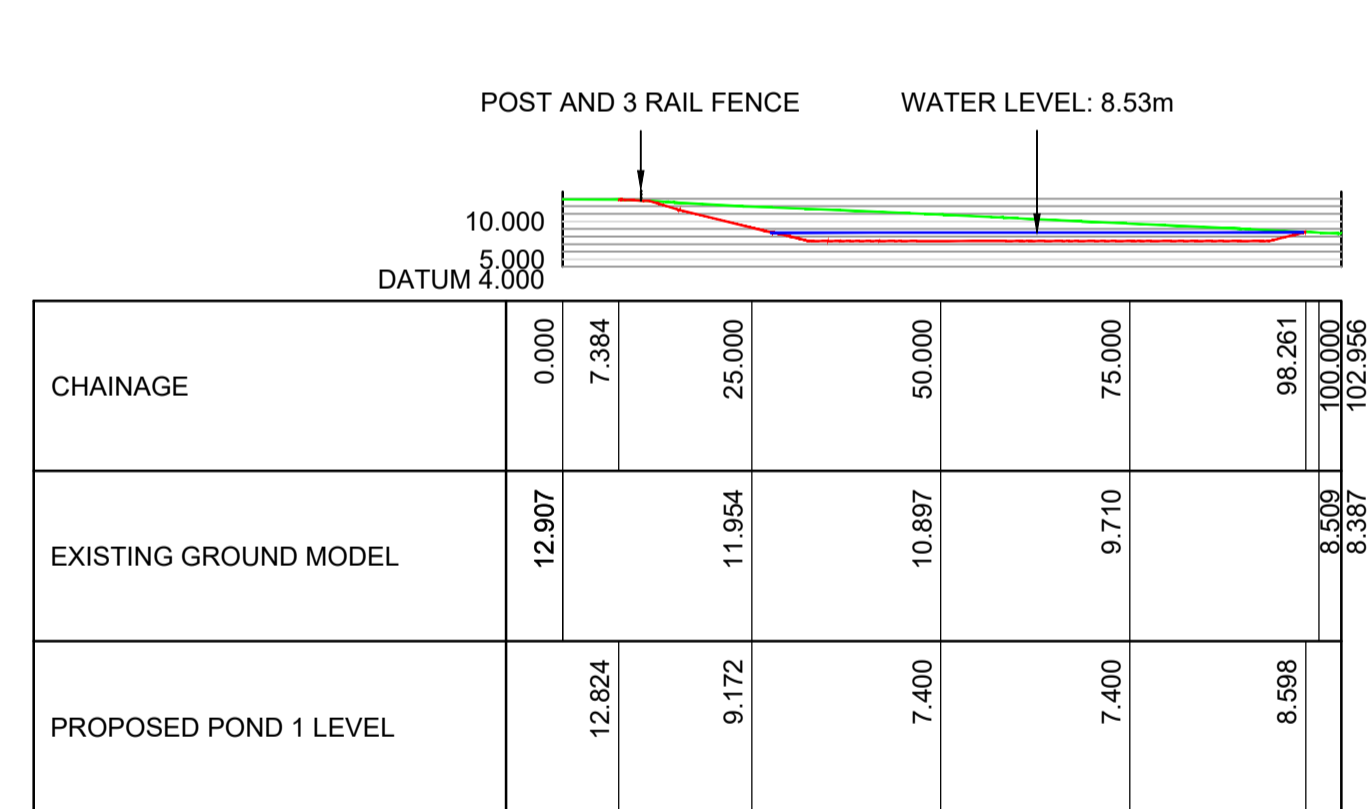
SCALE: 1:1000



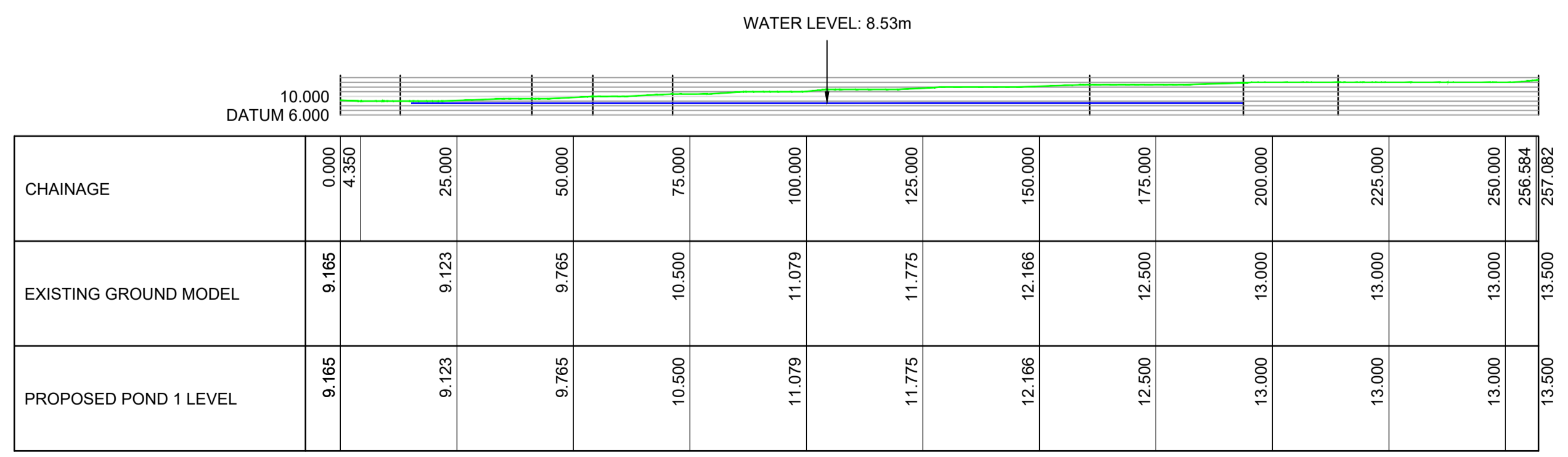
SECTION 1 VERTICAL EXAGGERATION: 1:1000



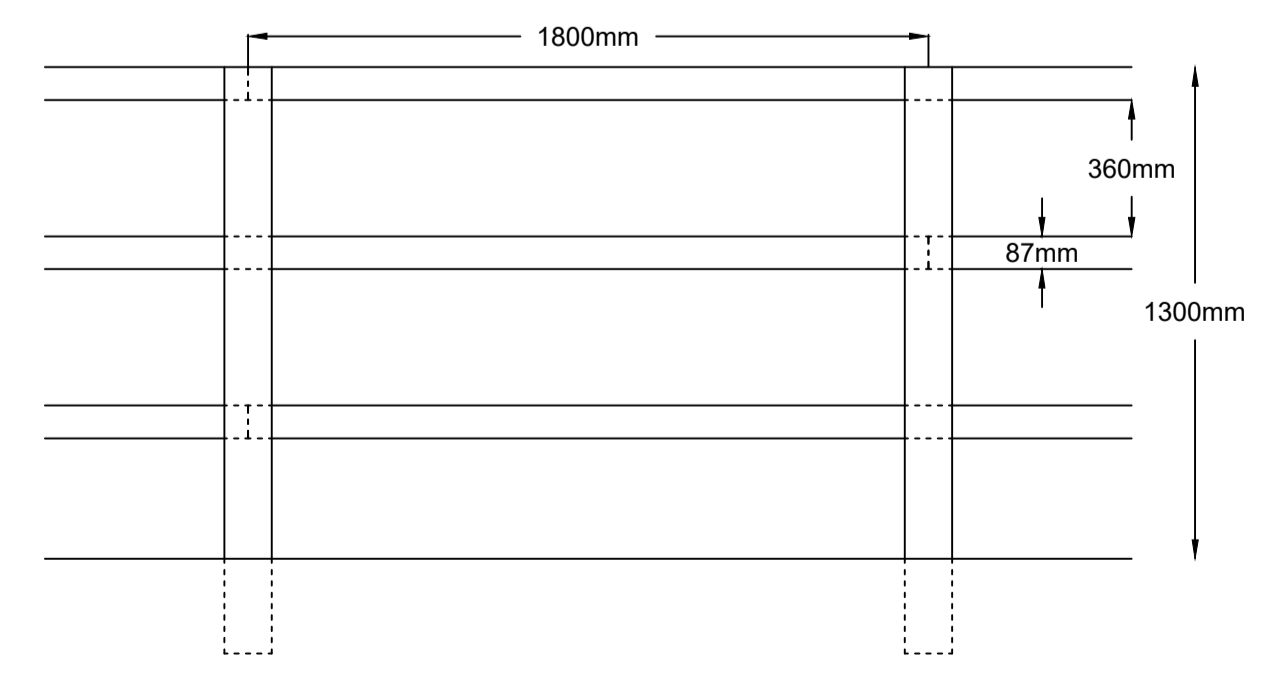
SECTION 2 VERTICAL EXAGGERATION: 1:1000



SECTION 3 VERTICAL EXAGGERATION: 1:1000



SECTION 4 VERTICAL EXAGGERATION: 1:1000



POST AND 3 RAIL FENCE DETAIL SCALE: 1:20

VARIOUS EXISTING NOTES ALTERED.	29-08-2023	P2
ADDITIONAL NOTES ADDED.	SNC	MB
BASIN SHAPE AMENDED	26-07-2023	P1
FIRST ISSUE	SNC	JR
ISSUE DETAILS	11-07-2023	P0
ISSUE PURPOSE	SNC	JR
	DWN	CHD
	APPD	

CLIENT	THE VINE FAMILY	
PROJECT	LAND AT MORNINGS MILL FARM EASTBOURNE ROAD, WILLINGTON	
DWG TITLE	BASIN 1 CROSS SECTIONS CATCHMENT 1	
DWG NO.	20430-00-CA1-DR-D-0502	
SCALE	DATE	FRAME DIMS (mm)
AS SHOWN	JULY 2023	(A1) 791 x 544
DRAWN	CHECKED	APPROVED
SNC	JR	MB
London		
Kent		
Derbyshire		
Manchester		
Stirling		

